



**Butterfly
valves**

**PTFE
Seated**



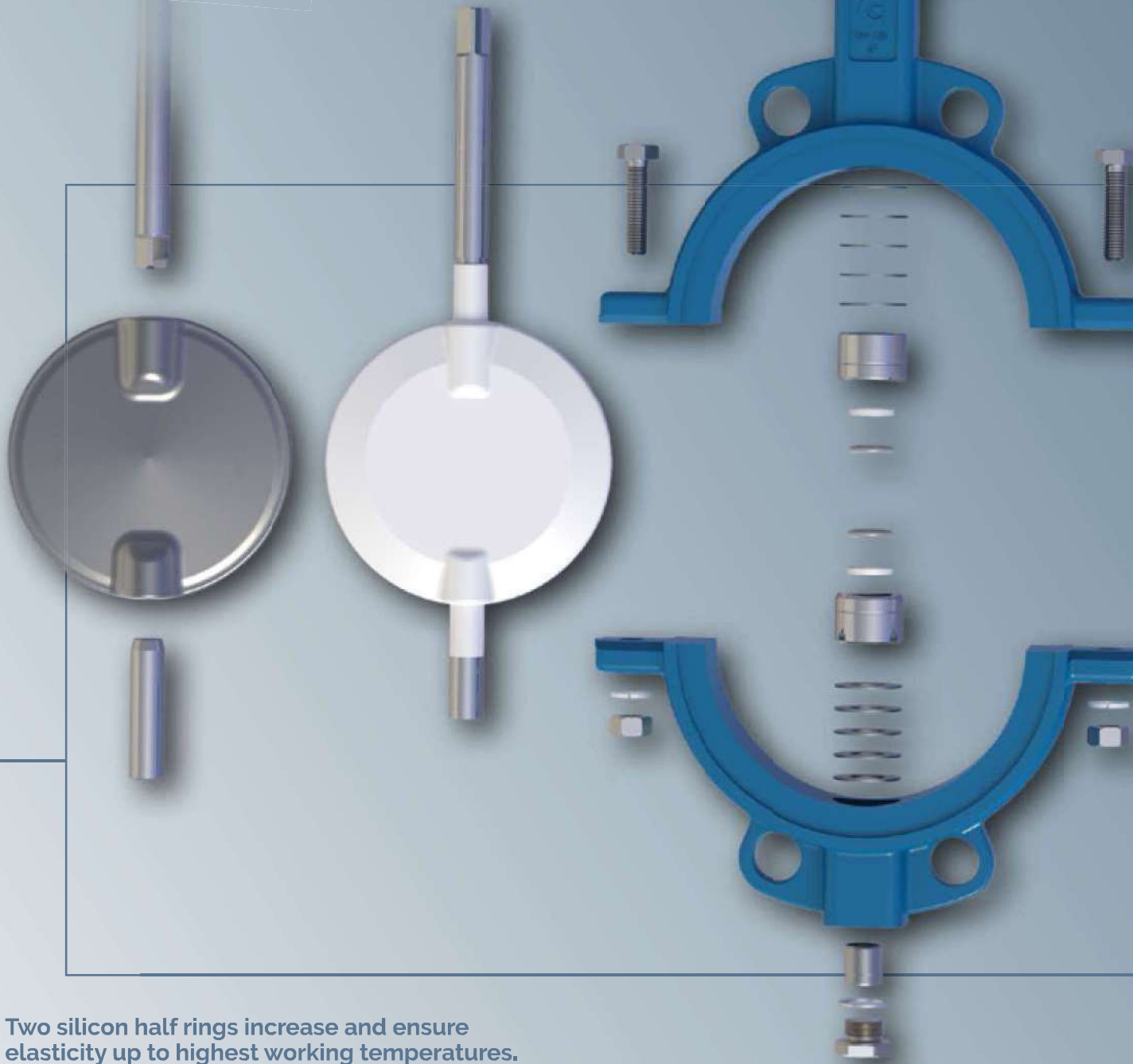


Butterfly valves

PTFE SEATED



PTFE body seat has a thickness varying from 2,5 to 3 mm depending on the position, even in the shaft area.



Two silicon half rings increase and ensure elasticity up to highest working temperatures.



Discs are available in stainless steel (AISI316, HASTELLOY®, DUPLEX®, SUPERDUPLEX®, INCONEL®, etc.), and in stainless steel coated with HALAR® or PTFE.

Standard shafts are in AISI316 stainless steel (Monel® or other materials on request).

Belleville washers ensure the sealing in the upper plane of the disc.

Furthermore a double packing consisting in a FEP coated FKM O Ring and a PTFE C-ring will avoid any leakage along the shaft.



In the TT-valve series the PTFE lining covers the shaft beyond the FEP coated FKM O Ring so that the fluid never contacts the metal core of the disc.



BVTT - Wafer DN040-600 . 1" 1/2 -24"

BLTT - Lug DN050-600 . 2"-24"

Max working pressure

type	DN	Pmax	disc	vacuum	Flanges
Wafer	DN040	16bar	inox	Y	PN 10-16 • A150
Wafer Lug	DN050÷200	16bar	inox	Y	PN 10-16 • A150
Wafer Lug	DN050÷200	16bar	inox+PTFE	N	PN 10-16 • A150
Wafer Lug	DN250÷300	10bar	inox	Y	PN 10-16 • A150
Wafer Lug	DN250÷300	10bar	inox+PTFE	N	PN 10-16 • A150
Wafer Lug	DN350÷400	10bar	inox	Y	PN 10-16 • A150
Wafer Lug	DN350÷400	10bar	inox+PTFE	N	PN 10-16 • A150
Wafer Lug	DN500÷600	6bar	inox	Y	PN 10-16 • A150
Wafer Lug	DN500÷600	6bar	inox+PTFE	N	PN 10-16 • A150

Design:

EN 593 ~ EN 736 ~ EN 12516 ~ EN 1092
ISO 5211 ~ DIN 3337 ~ API 609
PED 2014/68/EU - Mod. H

Face to face:

DIN EN 558 Series 20 ~ ISO 5752 Series 20
BS-5155 Series 4 ~ MSS-SP67
API 609 cat. A ~ NFE 29305-1

Testing:

EN 12266-1 Rate A (supersedes DIN 3230)
ISO 5208 Rate A ~ API 598

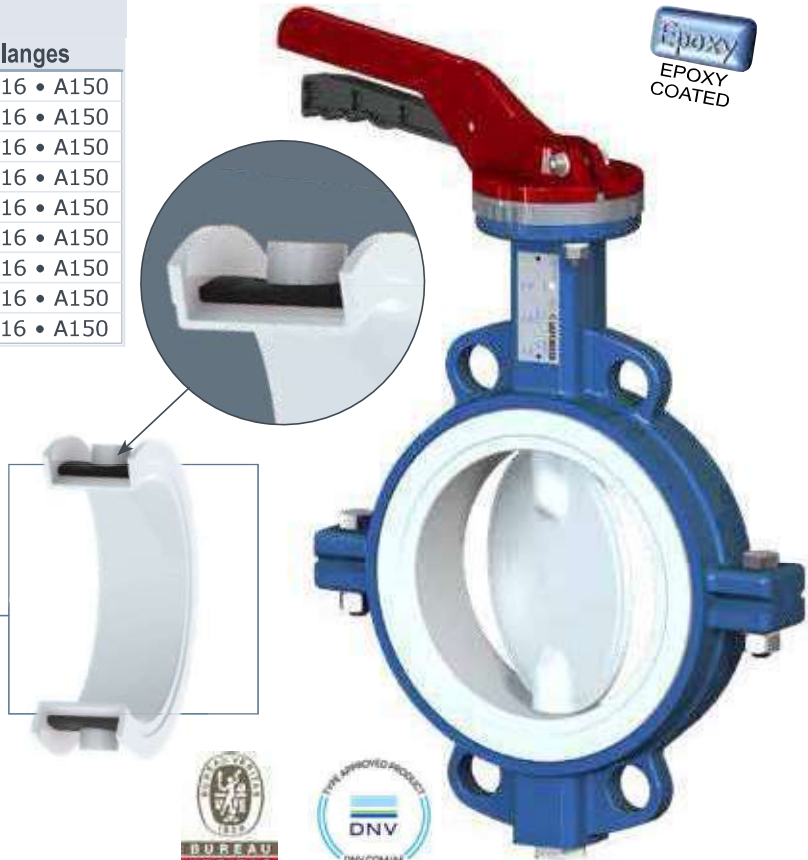
Tag:

EN 19 ~ MSS SP-25



All valves are supplied with a metallic label in compliance with PED directive.

The thickness of the PTFE body seat varies from 2,5 to 3 mm depending on the position



II 2GD Ex h X
X (see ATEX accompanying instructions)



BODY

material	references	standard coating	lug	wafer
Ductile iron (wafer, lug)	EN-GJS 400-15 (GS400)	Epoxy RAL 5009	50-600	40-600
Carbon steel (wafer only)	EN 1.0619 (ASTM A216-WCB)	Epoxy RAL 9005	-	50-600
Stainless steel (wafer only)	EN 1.4408 (ASTM A351 CF8M)	-	-	50-600

DISC

material	references	standard coating	coating on request	DN
Stainless steel	EN 1.4408 (ASTM A351 CF8M)	-	HALAR®, PFA	40-600
Stainless steel	A747 CB7Cu-1 + PTFE	PTFE	-	50-600
Hastelloy®	EN 2.4602 (ASTM A494 CX2MW)	-	-	40-600
Monel®	EN 2.4360 (ASTM A494 M35-1)	-	-	40-600

BODY SEAT

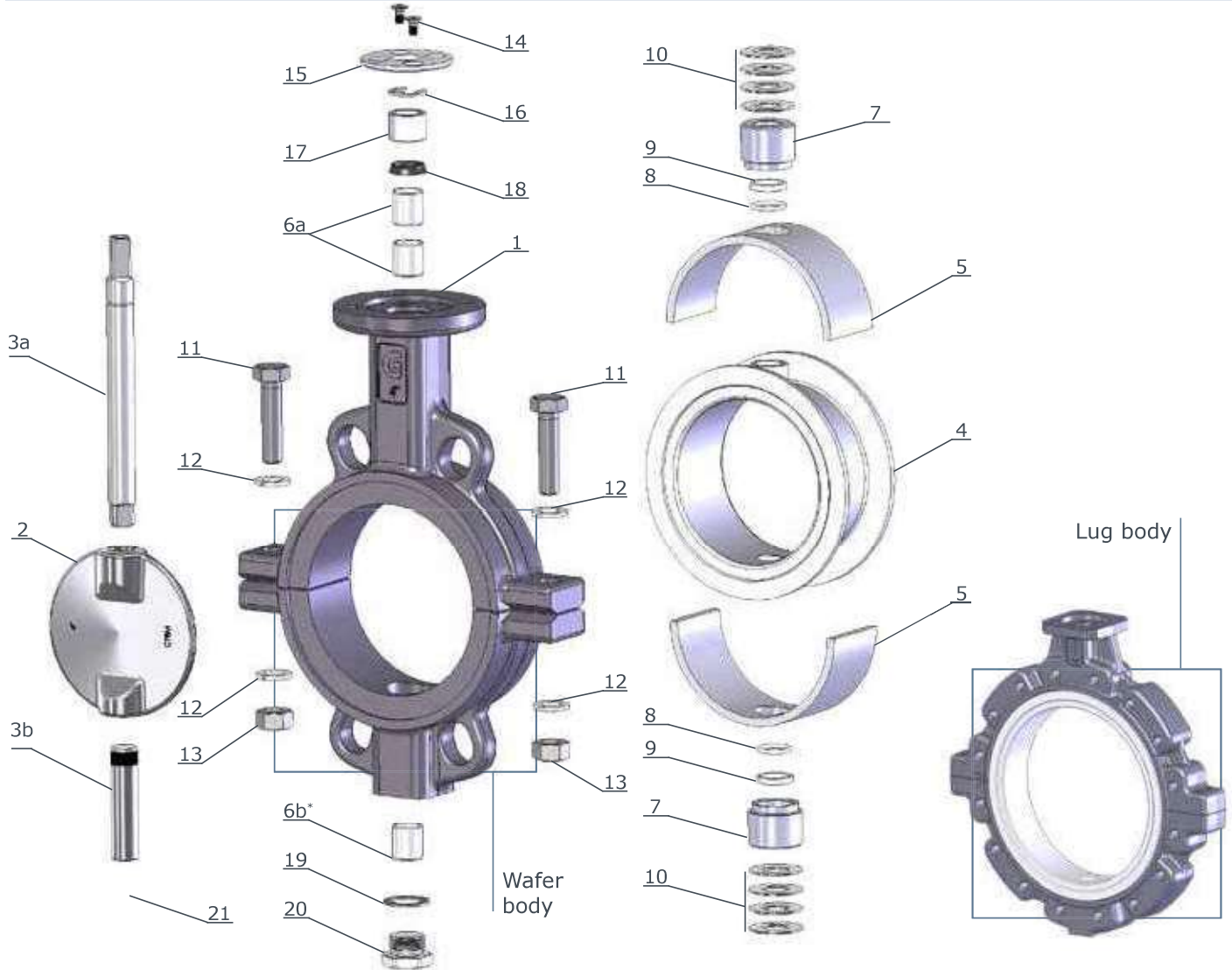
ref.	designation	trade name	working temp.	applications
PTFE	polytetrafluorethylene	TEFLON®	-55°C / +200°C	acids, foods, solvents

On request can be supplied other materials as:
Coating on request:

LCB, Hastelloy, Monel, Uranus, Alloy, DUPLEX, Special steels.
Halar®, Chenisil®, PFA

BVTT DN040-300 . 1" 1/2 - 12"
BLTT DN050-300 . 2" - 12"
PN 10-16 • ANSI 150

Stainless steel EN 1.4408~CF8M (A316) disc



item	q.ty	part	material
1	1	body	<ul style="list-style-type: none"> • EN-GJS400-15 (GS400) • EN 1,069~ A216-WCB (wafer only) • A351-CF8M (wafer only)
2	1	disc	<ul style="list-style-type: none"> • A351 - CF8M (AISI 316) • HALAR® (on request)
3a	1	upper shaft	• EN 1.4401~ AISI 316
3b	1	lower shaft	• EN 1.4401~ AISI 316
◇4	1	body seat	• PTFE
◇5	1	elastic support	• silicon
6a	2	bush upper shaft	• steel + PTFE
6b*	1*	bush lower shaft	• steel + PTFE
7	2	housing	• EN 1.4401~ AISI 316
◇8	2	O. Ring	• FEP + FKM (VITON®)
◇9	2	C. Ring	• PTFE
10	2	springs set	• steel

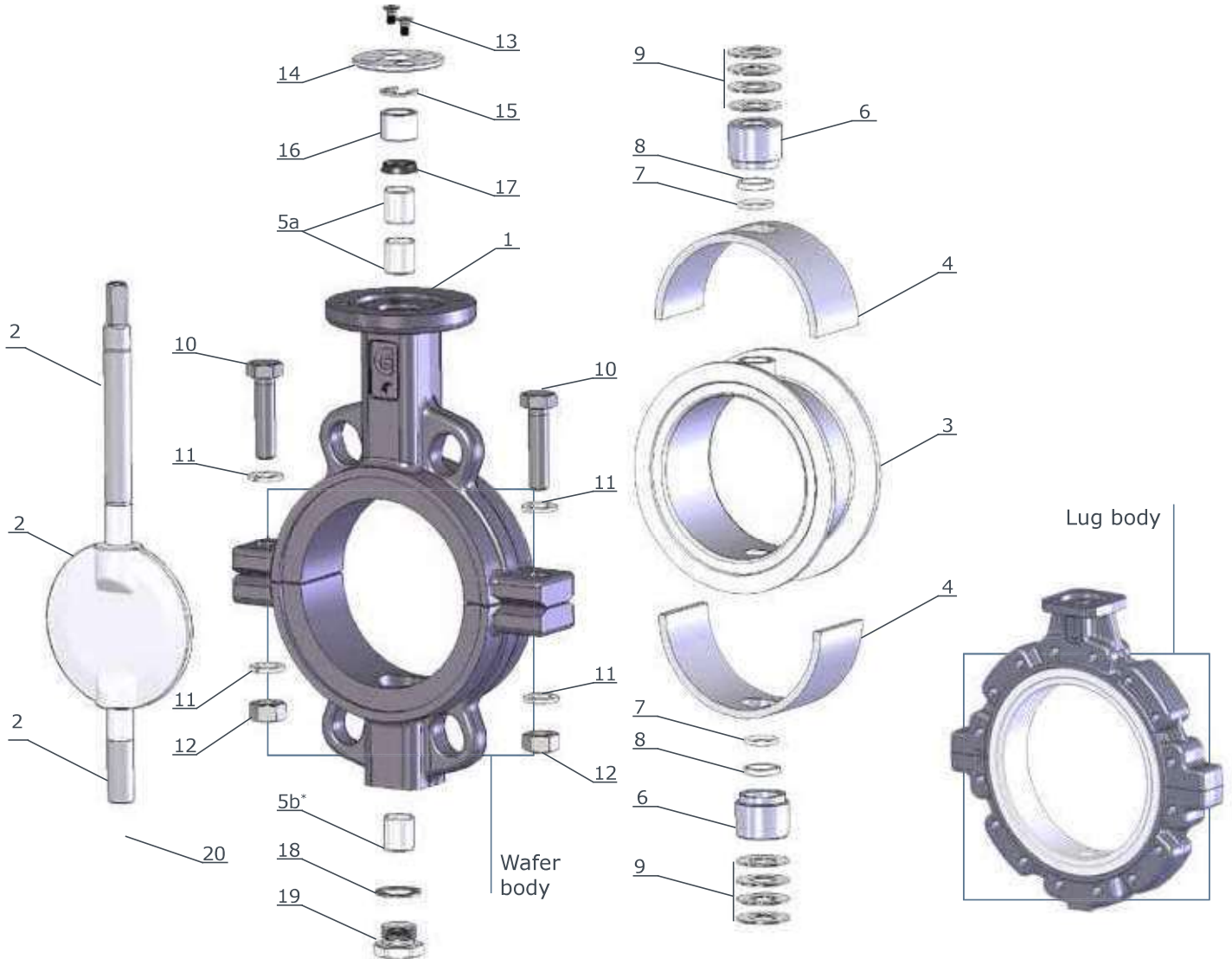
item	q.ty	part	material
11	2	screw	<ul style="list-style-type: none"> • 8.8 zinc plated steel • A4~A316 (body CF8M)
12	4	washer	<ul style="list-style-type: none"> • 8.8 zinc plated steel • A4~A316 (body CF8M)
13	2	screw nut	<ul style="list-style-type: none"> • 8.8 zinc plated steel • A2~304 (body CF8M)
14	2	screw	<ul style="list-style-type: none"> • 10.9 zinc plated steel • A4~A316 (body CF8M)
15	1	upper flange	<ul style="list-style-type: none"> • IXEF (DN 50/150) • aluminium (DN 200/300)
16	1	stop ring	• steel
◇17	1	upper bush	• PTFE
◇18	1	O. Ring	• FKM (VITON®)
19	1	plug packing	<ul style="list-style-type: none"> • aluminium • PTFE (body CF8M)
20	1	threaded plug	<ul style="list-style-type: none"> • zinc plated steel • 1.4401~A316 (body CF8M)
21	1	spring	<ul style="list-style-type: none"> • 1.4401~A316 (antistatic device)

* only DN200/300

◇ parts included in spare kit

BVTT - Wafer **BLTT** - Lug
 DN 50 - 300 • 2" - 12"
 PN 10-16 • ANSI 150

disc A747 CB7Cu-1 +PTFE



item	q.ty	part	material
1	1	body	<ul style="list-style-type: none"> EN-GJS400-15 (GS400) EN 1.069~ A216-WCB (wafer only) A351-CF8M (wafer only)
◇2	1	disc - shafts	A747 CB7Cu-1 + PTFE
◇3	1	body seat	PTFE
◇4	1	elastic support	silicon
5a	1	bush upper shaft	steel + PTFE
5b*	1	bush lower shaft	steel + PTFE
6	2	housing	EN 1.4401~A316
◇7	1*	O. Ring	FEP + FKM (VITON®)
◇8	2	C. Ring	PTFE
9	2	springs set	steel
10	2	screw	<ul style="list-style-type: none"> 8,8 zinc plated steel A4~A316 (body CF8M)

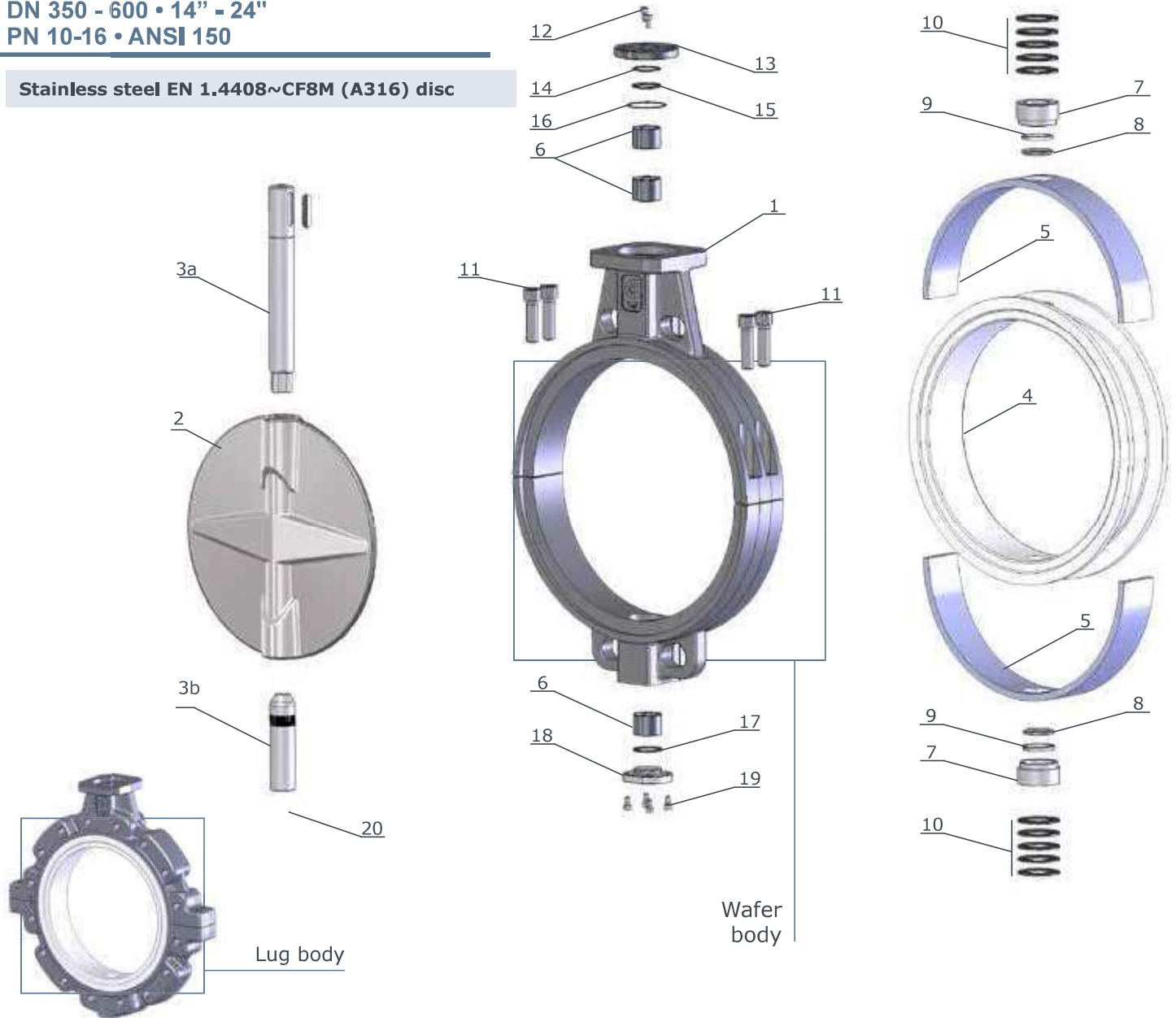
item	q.ty	part	material
11	2	washer	<ul style="list-style-type: none"> 8,8 zinc plated steel A4~A316 (body CF8M)
12	2	screw nut	<ul style="list-style-type: none"> 8,8 zinc plated steel A2~304 (body CF8M)
13	4	screw	<ul style="list-style-type: none"> 8,8 zinc plated steel A2~316 (body CF8M)
14	2	upper flange	<ul style="list-style-type: none"> IXEF (DN 50/150) aluminium (DN 200/300)
15	2	stop ring	steel
◇16	1	upper bush	PFTE
◇17	1	O.Ring	FKM (VITON®)
18	1	plug packing	<ul style="list-style-type: none"> aluminium PTFE (body CF8M)
19	1	threaded plug	<ul style="list-style-type: none"> zinc plated steel 1.4401~A316 (body CF8M)
20	1	spring	1.4401~A316 (antistatic device)

* only DN200/300

◇ parts included in spare kit

BVTT - Wafer BLTT - Lug
DN 350 - 600 • 14" - 24"
PN 10-16 • ANSI 150

Stainless steel EN 1.4408~CF8M (A316) disc



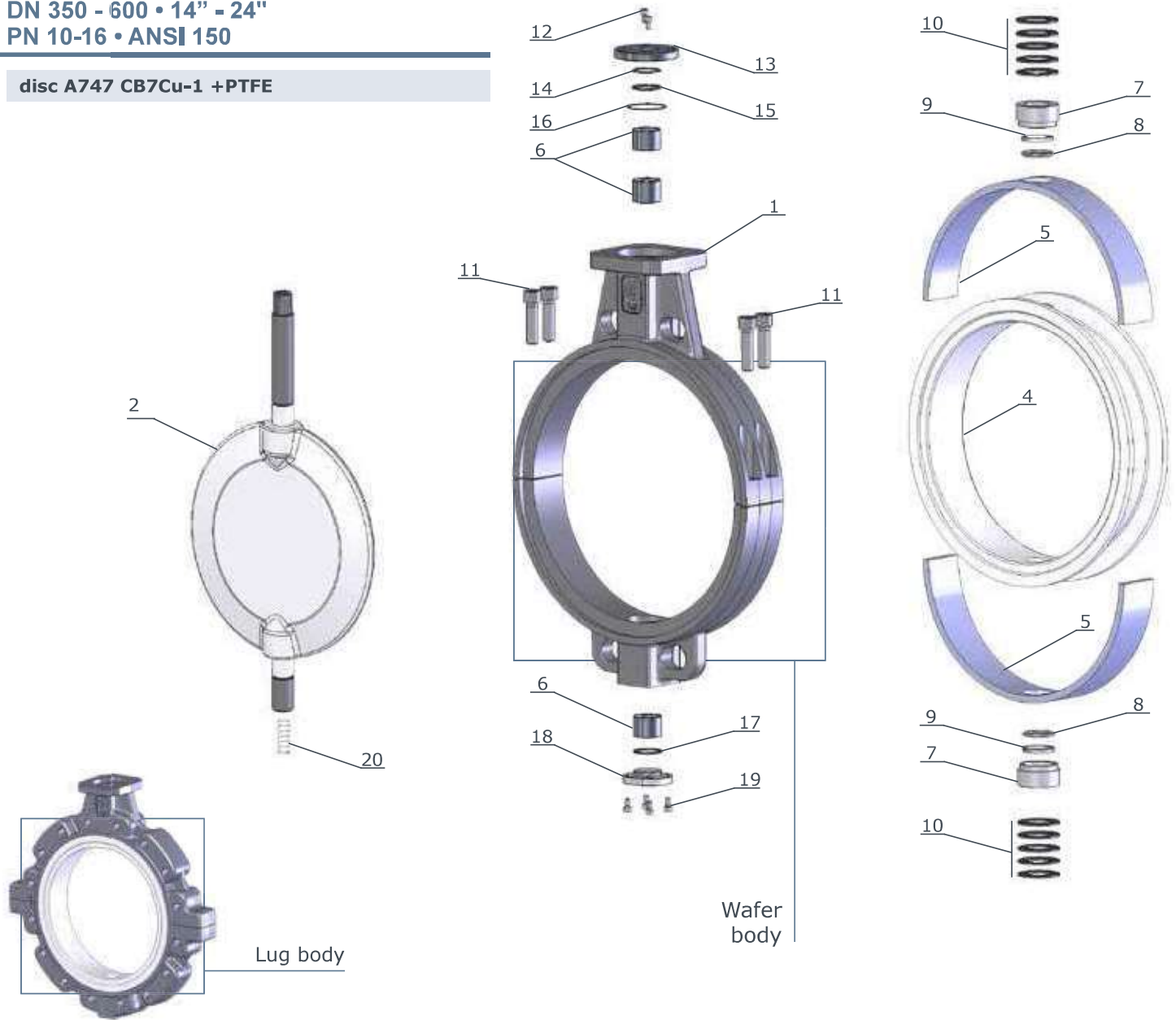
item	q.ty	part	material
1	1	body	<ul style="list-style-type: none"> EN-GJS400-15 (GS400) EN 1.069~ A216-WCB (wafer only) EN 1.4408~CF8M (A316) wafer only
2	1	disc	<ul style="list-style-type: none"> EN 1.4408~CF8M (A316) HALAR® (on request)
3a	1	upper shafts	EN 1.4401~AISI 316
3b	1	lower shafts	EN 1.4401~AISI 316
◇4	1	body seat	PTFE
◇5	1	elastic support	silicon
6	3	bush shaft	A105 + PTFE
7	2	housing	EN 1.4401~ AISI 316
◇8	2	O. Ring	FEP + FKM (VITON®)
◇9	2	C. Ring	PTFE
10	2	springs set	steel
11	4	screw	<ul style="list-style-type: none"> 8.8 zinc plated steel A4~A316 (body CF8M)

item	q.ty	part	material
12	2	screw	<ul style="list-style-type: none"> 8.8 zinc plated steel A4~A316 (body CF8M)
13	1	upper flange	<ul style="list-style-type: none"> IXEF (DN 50/150) aluminium (DN 200/300)
◇14	1	O.Ring	FKM (VITON®)
15	1	stop ring	steel
◇16	1	O.Ring	FKM (VITON®)
◇17	1	O.Ring	FKM (VITON®)
18	1	lower flange	<ul style="list-style-type: none"> IXEF (DN 50/150) aluminium (DN 200/300)
19	4	screw	<ul style="list-style-type: none"> 8.8 zinc plated steel A4~A316 (body CF8M)
20	1	spring	1.4401~A316 (antistatic device)

◇ parts included in spare kit

BVTT - Wafer BLTT - Lug
DN 350 - 600 • 14" - 24"
PN 10-16 • ANSI 150

disc A747 CB7Cu-1 +PTFE

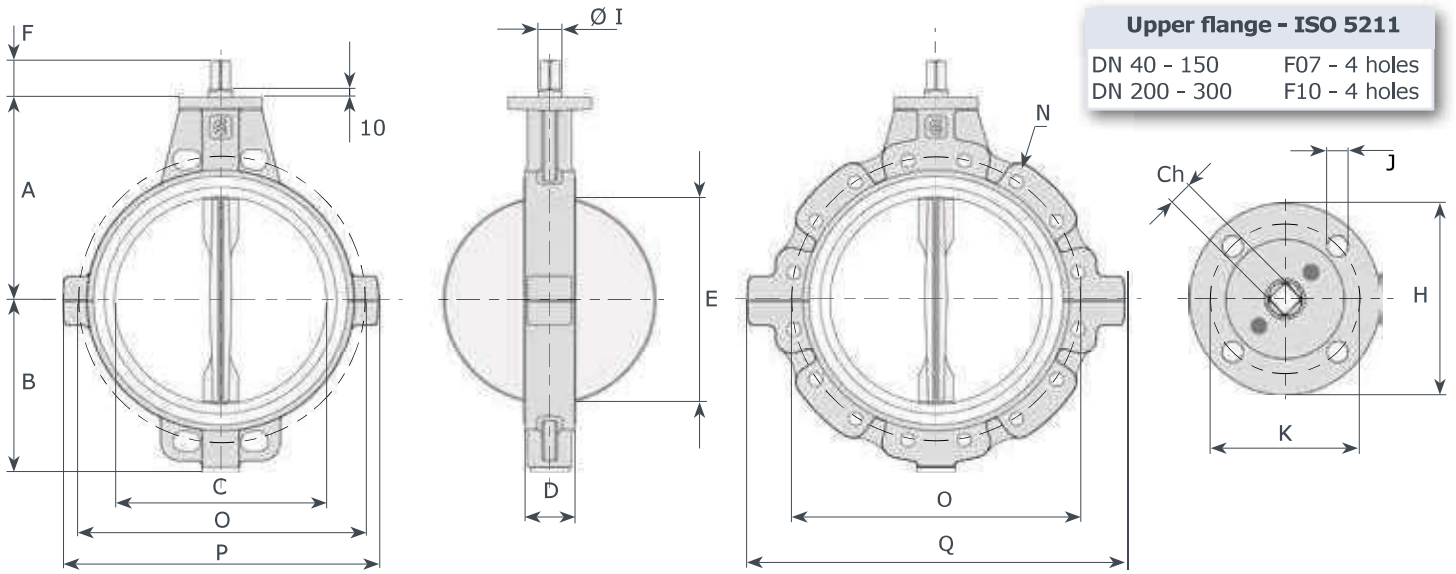


item	q.ty	part	material
1	1	body	<ul style="list-style-type: none"> • EN-GJS400-15 (GS400) • EN 1.069~ A216-WCB (wafer only) • EN 1.4408~CF8M (A316) wafer only
2	1	disc	• A747 CB7Cu-1 + PTFE
◇4	1	body seat	• PTFE
◇5	1	elastic support	• silicon
6	3	bush shaft	• A105 + PTFE
7	2	housing	• EN 1.4401~ AISI 316
◇8	2	O. Ring	• FEP + FKM (VITON®)
◇9	2	C. Ring	• PTFE
10	2	springs set	• steel
11	4	screw	<ul style="list-style-type: none"> • 8.8 zinc plated steel • A4~A316 (body CF8M)

item	q.ty	part	material
12	2	screw	<ul style="list-style-type: none"> • 8.8 zinc plated steel • A4~A316 (body CF8M)
13	1	upper flange	<ul style="list-style-type: none"> • IXEF (DN 50/150) • aluminium (DN 200/300)
◇14	1	O.Ring	• FKM (VITON®)
15	1	stop ring	• steel
◇16	1	O.Ring	• FKM (VITON®)
◇17	1	O.Ring	• FKM (VITON®)
18	1	lower flange	<ul style="list-style-type: none"> • IXEF (DN 50/150) • aluminium (DN 200/300)
19	4	screw	<ul style="list-style-type: none"> • 10.9 zinc plated steel • A4~A316 (body CF8M)
20	1	spring	<ul style="list-style-type: none"> • 1.4401~A316 (antistatic device)

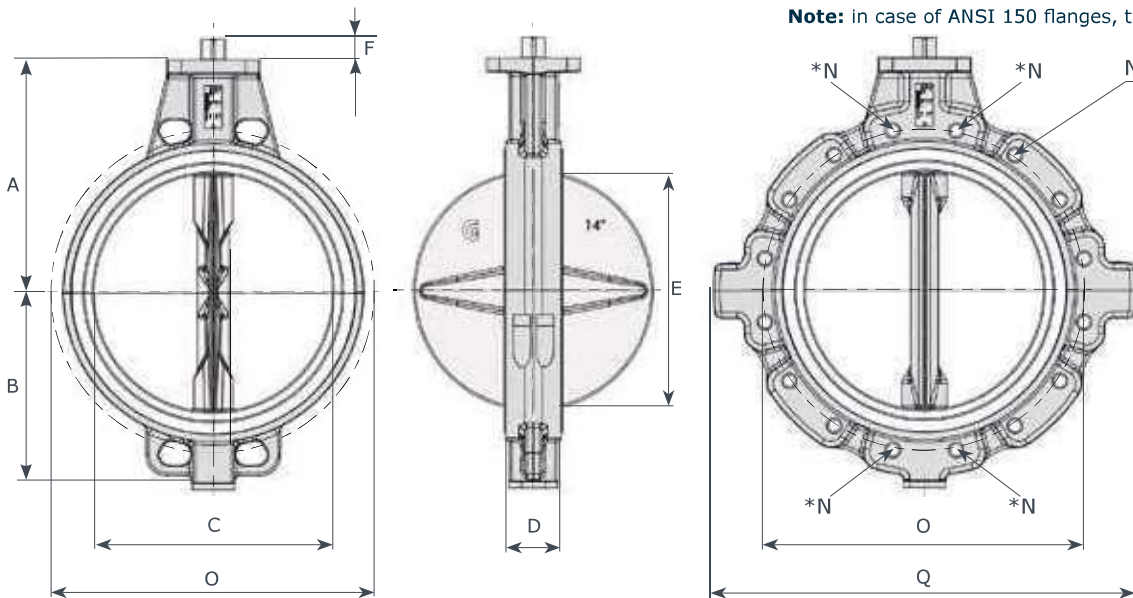
◇ parts included in spare kit

BVTT - Wafer **BLTT - Lug**



DN	"	A	B	C	D	E	F	Ø I	Ch	H	K	J	P	Q	PN 10			PN 16			ANSI 150			Kg.	
															N	n.	O	N	n.	O	N	n.	O	wafer	lug
40	1 ^{1/2}	130	75	49	33	36	34	14	11	90	70	9	-	-	M16	4	110	M16	4	110	M14	4	98.4	3	-
50	2	138	81	55	43	35	34	14	11	90	70	9	165	165	M16	4	125	M16	4	125	M16	4	120.7	3.4	3.9
65	2 ^{1/2}	144	98	68	46	50	34	14	11	90	70	9	186	186	M16	8	145	M16	8	145	M16	4	139.7	4.1	4.7
80	3	158	110	81	46	67	34	14	11	90	70	9	196	242	M16	8	160	M16	8	160	M16	4	152.4	4.4	7.6
100	4	173	128	101	52	87	34	16	11	90	70	9	220	270	M16	8	180	M16	8	180	M16	8	190.5	6.8	8.4
125	5	186	140	126	56	113	34	18	14	90	70	9	250	297	M16	8	210	M16	8	210	M20	8	215.9	8.8	11.2
150	6	202	155	150	56	140	34	18	14	90	70	9	278	321	M20	8	240	M20	8	240	M20	8	241.3	10.5	12.9
200	8	240	190	200	60	191	38	22	17	125	102	11	355	420	M20	8	295	M20	12	295	M20	8	298.5	15.2	25.0
250	10	270	220	250	68	241	38	30	22	125	102	11	398	472	M20	12	350	M24	12	355	M22	12	362.0	24.5	30.0
300	12	300	247	298	78	289	38	30	22	125	102	11	455	540	M20	12	400	M24	12	410	M22	12	431.8	32.0	45.0

Note: in case of ANSI 150 flanges, threading can be ANSI B1.1 UNC2B



***Note:** WAFER bodies DN 600 - 700 - 800 have 4 holes N threaded as relevant LUG version

Upper flange ISO 5211
 DN350-400 F12-4 fori
 DN500-600 F16-4 fori

DN	"	A	B	C	D	E	F	Ø I	Ch	H	K	J	Q	PN10			PN16			ANSI150			kg.	
														N	n.	O	N	n.	O	N	n.	O	wafer	lug
350	14	330	280	341	78	332	28	35	27	150	125	14	600	M20	16	460	M24	16	470	M24	12	476.3	54	73
400	16	355	305	390	102	376	28	40	27	150	125	14	690	M24	16	515	M27	16	525	M27	16	539.8	68	104
500	20	422	366	485	127	479	37	45	36	210	165	22	820	M24	20	620	M30	20	650	M27	20	635.0	149	179
600	24	495	460	595	154	575	47	60	46	210	165	22	940	M27	20	725	M33	20	770	M33	20	749,3	215	310

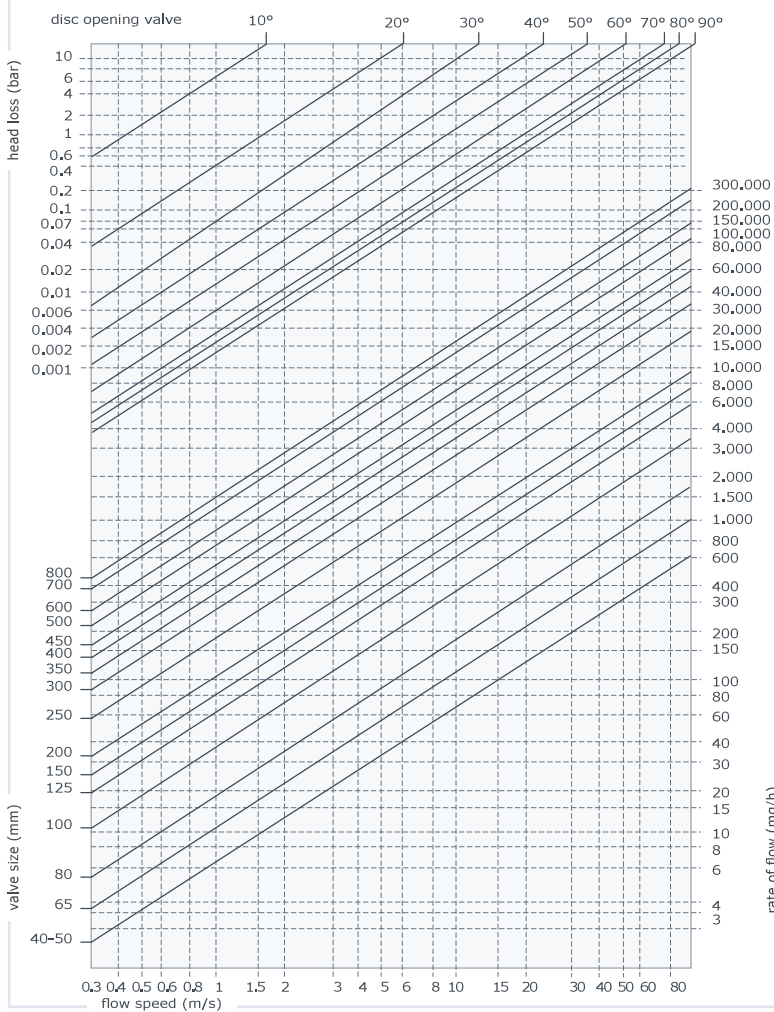
TT Series - Torque values - Nm - safety factor excluded

disc: EN 1.4408~CF8M (A316)					fluid H ₂ O - 20°C								
working pressure BAR													
DN	0	6	10	16	DN	0	6	10	16	DN	0	6	10
40	5	9	13	20	125	45	57	75	80	350	400	450	550
50	13	16	19	28	150	53	63	94	105	400	700	800	1000
65	15	21	24	30	200	128	153	188	250	500	980	1250	-
80	28	42	52	65	250	190	232	296	-	600	1805	2470	-
100	32	54	65	70	300	214	296	366	-	-	-	-	-

disc: St. Steel + PTFE					fluid H ₂ O - 20°C								
working pressure BAR													
DN	0	6	10	16	DN	0	6	10	16	DN	0	6	10
50	12	15	18	25	150	50	60	89	100	400	750	850	1030
65	14	20	23	28	200	122	145	180	219	500	950	1240	-
80	26	40	49	55	250	180	220	280	-	600	1950	2550	-
100	30	51	62	66	300	205	280	350	-	-	-	-	-
125	42	54	71	75	350	500	540	590	-	-	-	-	-

Notes: values indicated in this page is only for information

Head losses



Formulae for calculation of rate flow

Liquids:
$$Q = \frac{KV}{\sqrt{\frac{PS}{\Delta P}}}$$

Q rate of flow (m³/h)
 PS specific gravity (water=1)
 ΔP pressure drop (bar)

Gas:
$$Q = 28.5 \frac{KV}{\sqrt{P_2 \cdot \Delta P}}$$

Q rate of flow (m³/h)
 PS specific gravity (air=1)
 ΔP pressure drop (bar) (less than 1/2 inlet pressure)
 P₂ outlet pressure

Steam:
$$Q = 22.5 \cdot KV \cdot \sqrt{P_2 \cdot \Delta P}$$

Q rate of flow (Kg/h)
 ΔP pressure drop (bar) (less than 1/2 inlet pressure)
 P₂ outlet pressure

Calculation of the rate of flow equivalent to H₂O:

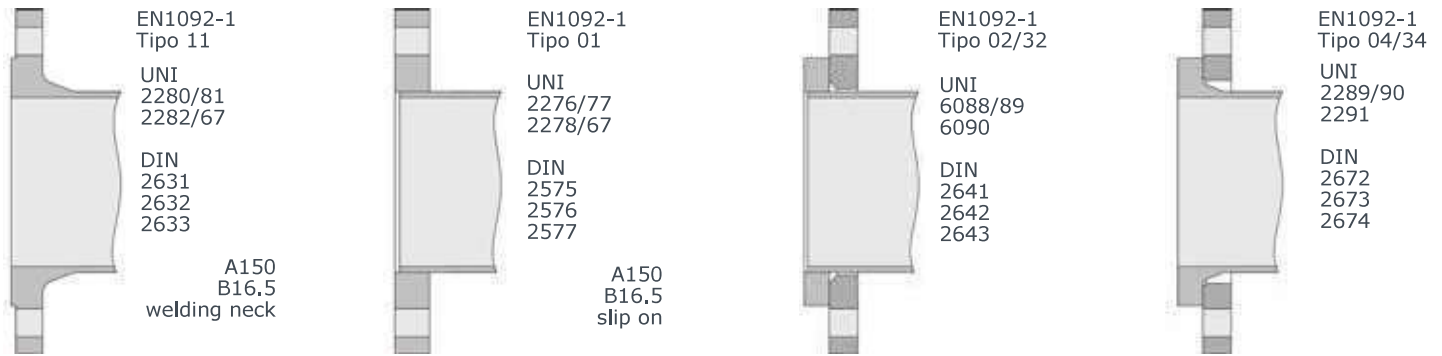
$$Q_e = Q \sqrt{\frac{d}{1000}}$$

For different liquid, gas or steam head losses are determined by equivalent water rate of flow, as follows:

Q_e equivalent water flow (mc/l o l/s)
 Q fluid flow (mc/l o l/s)
 d fluid specific gravity (Kg/mc)

angle	Values KV (CV = 1,16 KV)												
	40/50	65	80	100	125	150	200	250	300	350	400	500	600
5°	-	-	-	-	-	-	-	-	-	53	68	106	207
10°	-	-	-	-	-	-	-	21	49	123	161	246	629
15°	0,2	0,6	1,8	2,4	4,2	5,6	14	80	188	228	299	457	1168
20°	0,9	2,5	5,2	9,5	15	23	110	156	280	315	412	630	2010
25°	3	6,1	12	22	38	61	125	225	354	457	597	914	2735
30°	6,1	11	21	39	69	112	211	310	381	661	863	1320	5080
35°	9,9	18	33	60	105	166	303	433	521	890	1162	1778	6254
40°	15	27	49	88	148	228	405	591	742	1184	1547	2366	9700
45°	21	38	68	121	199	303	528	774	987	1552	2028	3102	11581
50°	29	51	91	159	262	394	679	988	1252	2008	2620	4010	15000
55°	39	68	119	207	338	505	863	1247	1571	2548	3318	5090	17765
60°	53	90	156	269	434	641	1085	1591	2059	3225	4202	6442	22200
65°	72	121	209	357	565	820	1364	2065	2807	3983	5196	7957	26077
70°	92	161	283	487	768	1097	1788	2715	3744	5195	6775	10377	34500
75°	109	209	381	662	1059	1507	2425	3625	4935	6964	9084	13912	39546
80°	115	240	457	815	1303	1861	3043	4768	6831	9301	12142	18578	47560
85°	115	253	502	906	1457	2008	3642	4890	8230	10280	13408	20533	52566
90°	116	257	508	925	1492	2168	3838	5010	9233	10792	14082	22024	56381

Flanges to be used



Compatibility flanges - body Wafer

DN	EN 1092-1 / EN 1092-2					ASME/ANSI			BS 10		JIS B2220		
	PN 6	PN 10	PN 16	PN 25	PN 40	class 125	class 150	class 300	tab D	tab E	5K	10K	16K
40	✓	✓	✓	✓	✓	✓	✓	✗	✓	✓	✓	✓	✓
50	●	✓	✓	✓	✓	✓	✓	✗	●	●	●	✓	✗
65	●	✓	✓	✓	✓	✓	✓	●	●	●	●	✓	●
80	●	✓	✓	✓	✓	✓	✓	✗	●	●	●	●	✓
100	●	✓	✓	✗	✗	✓	✓	✗	●	✗	●	●	✓
125	●	✓	✓	✗	✗	✓	✓	✗	✓	✓	●	●	✓
150	●	✓	✓	●	●	✓	✓	✗	●	●	●	✓	✗
200	●	✓	✓	✗	✗	✓	✓	✗	✓	✓	●	●	✓
250	●	✓	✓	●	●	✓	✓	✗	✗	✓	✓	✓	●
300	●	✓	✓	✗	✗	✓	✓	✗	✓	✓	●	●	✗
350	●	✓	✓	✗	✗	✓	✓	✗	✓	✓	✗	✗	●
400	✗	✓	✓	✗	✗	✓	✓	✗	✗	✗	✗	●	●
500	✗	✓	✓	●	●	✓	✓	✗	✗	✗	✗	✓	●
600	●	✓	✓	●	✗	✓	✓	✗	✗	✗	●	●	✗

✓ standard ● on request
 ✗ not possible

Compatibility flanges - body Lug

DN	EN 1092-1 / EN 1092-2					ASME/ANSI			BS 10		JIS B2220		
	PN 6	PN 10	PN 16	PN 25	PN 40	class 125	class 150	class 300	tab D	tab E	5K	10K	16K
50	●	✓	✓	✓	✓	✓	✓	✗	●	●	●	●	✗
65	●	✓	✓	✓	✓	✓	✓	✗	●	●	●	✓	●
80	●	✓	✓	✓	✓	✓	✓	✗	●	●	●	●	●
100	✗	✓	✓	●	●	✓	✓	✗	✗	●	●	●	●
125	●	✓	✓	●	●	✓	✓	✗	✓	✓	●	●	●
150	●	✓	✓	●	●	✓	✓	✗	●	●	●	✓	✗
200	●	✓	✓	✗	✗	✓	✓	✗	✓	✓	●	●	●
250	●	✓	✓	●	✗	✓	✓	✗	✗	✓	●	●	✗
300	●	✓	✓	✗	✗	✓	✓	✗	✓	✓	●	✗	✗
350	●	✓	✓	✗	✗	✓	✓	✗	✓	✓	●	●	●
400	●	✓	✓	●	✓	✓	✓	✗	✗	✗	●	●	●
500	●	✓	✓	●	✓	✓	✓	✗	✗	✗	●	●	●
600	●	✓	✓	●	✗	✓	✓	✗	✗	✗	●	✗	✗

✓ standard ● on request
 ✗ not possible

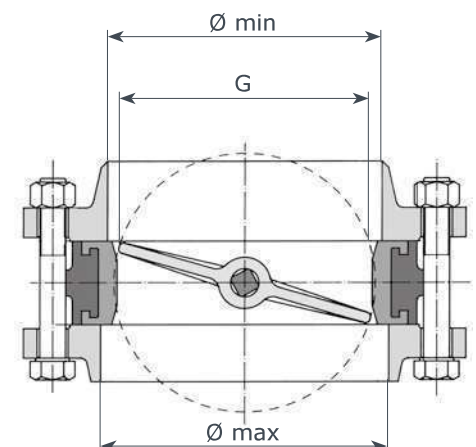
Bolts and rods dimensions

DN	Wafer valves								
	PN 10			PN 16			ANSI 150		
	Bolts	Rods	N°	Bolts	Rods	N°	Bolts	Rods	N°
40	M16x90	M16x100	4	M16x90	M16x100	4	M14x90	M14x110	4
50	M16x100	M16x120	4	M16x100	M16x120	4	M16x100	M16x130	4
65	M16x110	M16x130	8	M16x110	M16x130	8	M16x110	M16x140	4
80	M16x110	M16x130	8	M16x110	M16x130	8	M16x120	M16x150	4
100	M16x120	M16x140	8	M16x120	M16x140	8	M16x120	M16x150	8
125	M16x120	M16x150	8	M16x120	M16x150	8	M20x130	M20x160	8
150	M20x130	M20x160	8	M20x130	M20x160	8	M20x140	M20x160	8
200	M20x140	M20x170	8	M20x140	M20x170	12	M20x150	M20x170	8
250	M20x150	M20x180	12	M24x150	M24x180	12	M22x160	M22x190	12
300	M20x160	M20x190	12	M24x160	M24x190	12	M22x170	M22x210	12
350	M20x160	M20x190	16	M24x170	M24x200	16	M24x180	M24x220	12
400	M24x190	M24x220	16	M27x210	M27x240	16	M27x210	M27x250	16
500	M24x210	M24x240	20	M30x240	M30x280	20	M27x250	M27x290	20
600	M27x250 M27x75	M27x290 -	20 8	M33x270 M33x85	M33x320 -	20 8	M33x290 M33x95	M33x340 -	20 8

DN	Lug valves					
	PN 10		PN 16		ANSI 150	
	Bolts	N°	Bolts	N°	Bolts	N°
50	M16x35	8	M16x35	8	M16x35	8
65	M16x40	16	M16x40	16	M16x40	8
80	M16x40	16	M16x40	16	M16x40	8
100	M16x40	16	M16x40	16	M16x45	16
125	M16x45	16	M16x45	16	M20x50	16
150	M20x45	16	M20x45	16	M20x50	16
200	M20x50	16	M20x50	24	M20x55	16
250	M20x55	24	M24x55	24	M22x60	24
300	M20x60	24	M24x60	24	M22x60	24
350	M20x60	32	M24x65	32	M24x65	24
400	M24x70	32	M27x70	32	M27x80	32
500	M24x80	40	M30x80	40	M27x90	40
600	M27x90	40	M33x100	40	M33x100	40

NOTE 1: Screw and rod dimensions have been calculated with WELDING NECK flanges PN 10/16 (EN1092-1 Tipe 11) ANSI150 (ANSI B16.5)

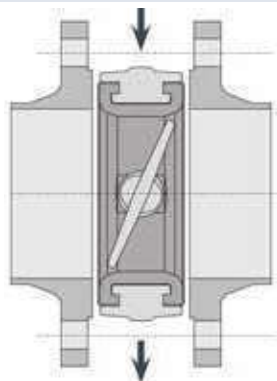
NOTE 2: Number of nMTS should be double when WAFER valves are assembled with threaded rods.



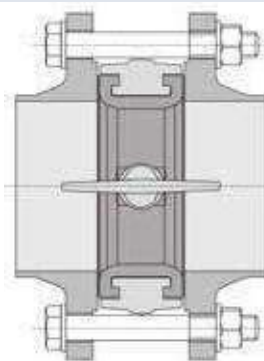
DN	40	50	65	80	100	125	150	200	250	DN	300	350	400	500	600
G	36	35	50	67	87	113	140	191	241	5°	289	332	376	479	575
\varnothing min	29	44	60	75	98	122	148	196	244	10°	296	332	378	478	566
\varnothing max	49	62	80	93	118	146	175	225	275	15°	330	372	422	500	600

Installation

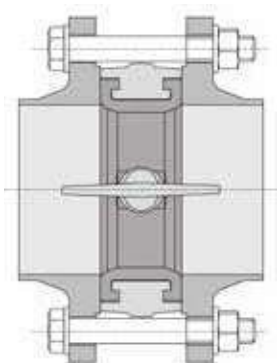
Assembly



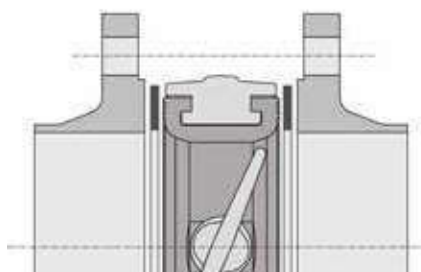
1 - Leave a space between flanges so that valve can be easily inserted and removed.



2 - Open completely the valve before tightening flanges.



3 - Tighten bolts till flanges are in contact with valve body.

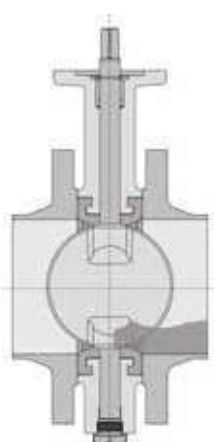


4 - **NOTE:** do not insert other packing between flange and valve.

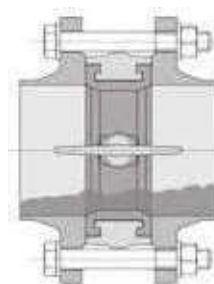
NOTE: Weld the pipe only in spots with the valve between flanges. Remove the valve before finishing welding to avoid that heat damage the seat. Clean carefully the welding to avoid that slags damage the seat.

Installation for powders and muddy fluids

In case of use with powders or muddy fluids, install the valve with horizontal rotation axis, to allow sediments to flow easily on opening.



Wrong
Vertical rotation axis



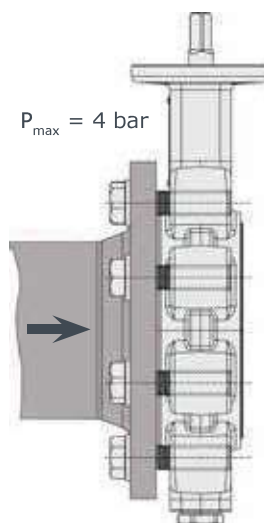
Right
Horizontal rotation axis

←
powders or muddy fluids

←
powders or muddy fluids

End piping installation

When valves are installed end of piping, a counterflange as per dwg type B is needed to secure tightness at max pressure.



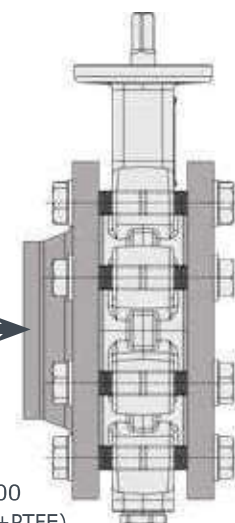
$P_{max} = 4 \text{ bar}$

$P_{max} = 16 \text{ bar}$
dn040~200

$P_{max} = 10 \text{ bar}$
dn250~400
(CF8M disc)

$P_{max} = 10 \text{ bar}$
dn350~400
(inox+PTFE)

$P_{max} = 6 \text{ bar} > \text{dn}400$
(CF8M disc / inox+PTFE)

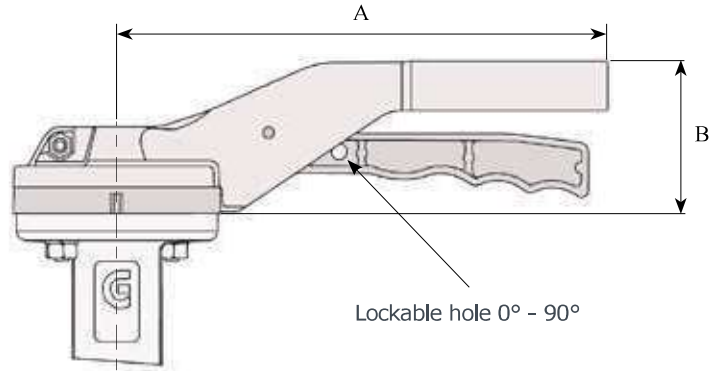


This type of installation is always advisable with valve diameters over DN 400.

Type A installation with MT end piping

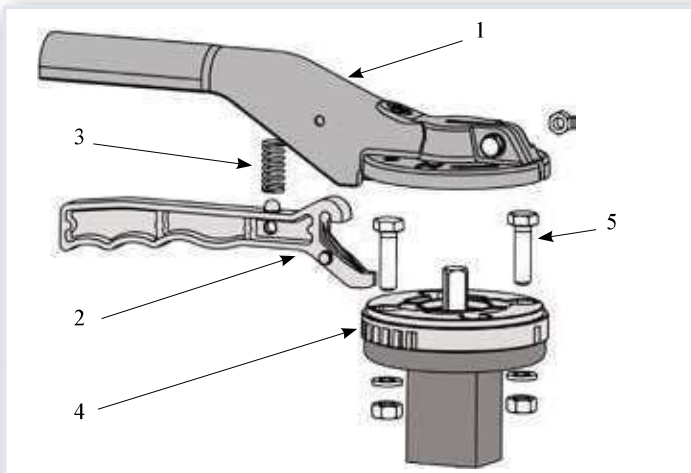
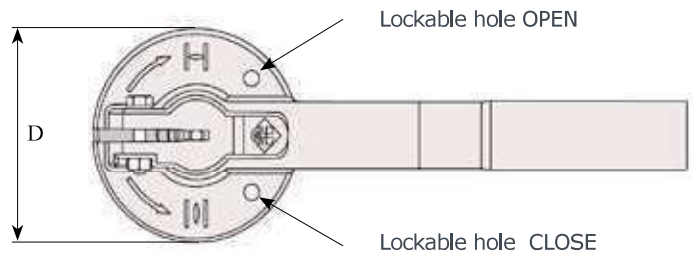
Type B installation with end piping

Handlevers



DN	A	B	D	Kg	
				aluminium	st. steel
40 - 100	220	67	93	0.60	1.80
125 - 150	275	67	93	0.65	2.05
200 - 300	340	76	125	1	-

Note: DN 250 - 300 handlever not recommended



		DN40 - 300	DN40 - 150
1	lever	aluminium	EN 1.408~A351
2	trigger	aluminium	EN 1.408~A351
3	spring	stainless steel	stainless steel
4	disc positioning	aluminium	EN 1.408~A351
5	screws	stainless steel	stainless steel

positioning disc DN 40 - 150 designed for flanges ISO 5211 F05/F07



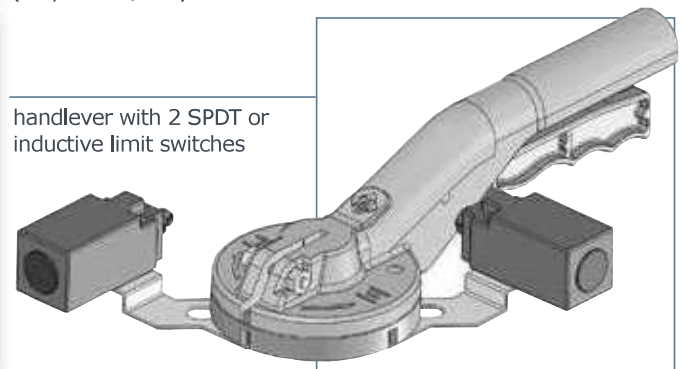
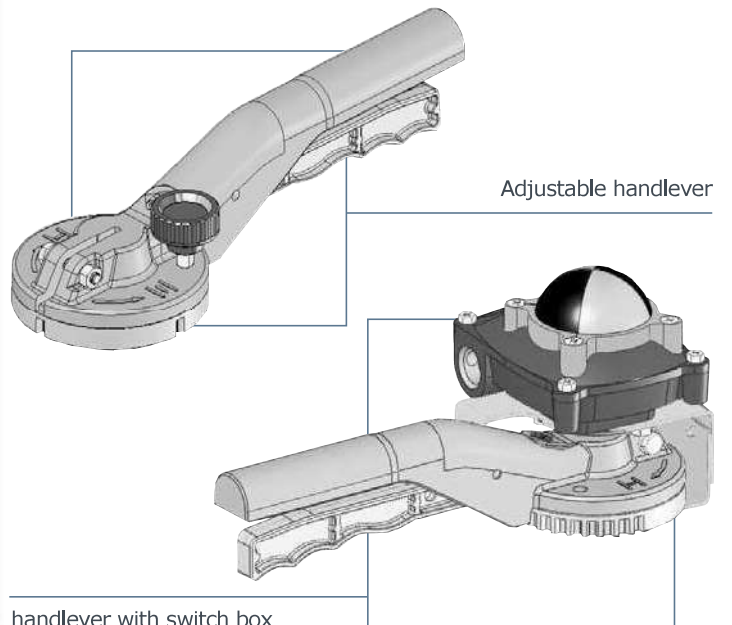
10 positions



Open - Closed

positioning disc with two types of regulation: 10 positions or Open/Close

OPTIONALS

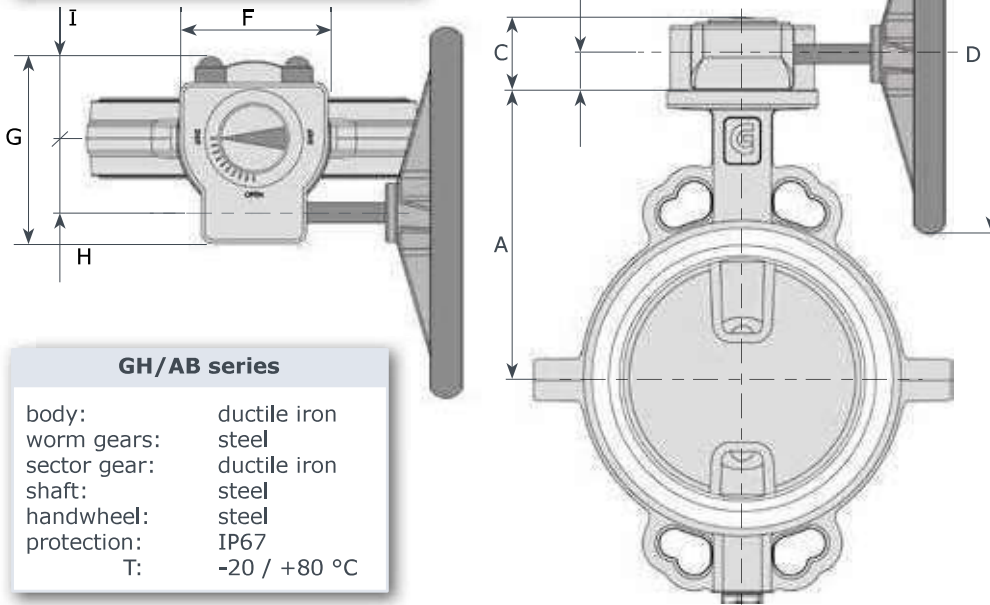


Gearboxes - Aluminium body - HW Series - Cast Iron body - AB Series

HW series

body: aluminium
 worm gears: steel
 sector gear: ductile iron
 shaft: stainless steel
 handwheel: steel
 protection: IP65
 T: -20 / +120 °C

low/high temperature execution on request



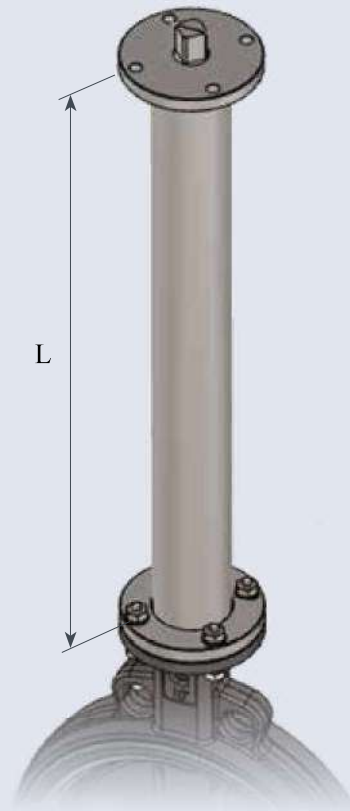
GH/AB series

body: ductile iron
 worm gears: steel
 sector gear: ductile iron
 shaft: steel
 handwheel: steel
 protection: IP67
 T: -20 / +80 °C

Waterproof valve shaft extension

When necessary, it's possible to extend the valve shaft as indicated in the figure. Construction is in carbon steel with protective paint (on request stainless steel).

"L" measure should be indicated when ordering.



Our technical department is available to solve special applications.

Dimensions

Mod. HW	B	C	D	E	F	G	H		Kg
HW 070	160	48	140	27	80	115	42		1.6
HW 102	215	56	250	33	120	150	60		3
HW 140	325	95	400	51	185	225	80		10
HW 165	395	105	600	61	230	268	105		20

Mod. GH	B	C	D	E	F	G	H	I	Kg
GH10	170	64	200	29	90	122.5	44	52.5	2.2
GH20	179	65.5	200	29	125	144	52	65	3.6
GH21	214	73	300	36	125	162	62	74	4.8
GH30	265	89	350	46	150	202	79	89	12
GH55	300	99	400	49.5	210	229	89	105	13

Mod. AB	B	C	D	E	F	G	H	I	Kg
AB1954	398	126	600	55	285	323	130	143	39

Coupling valve - actuators

DN	"	mod. HW 16 bar	mod. GH 16 bar	A
40	1 ^{1/2}	HW070	GH10	138
50	2	HW070	GH10	138
65	2 ^{1/2}	HW070	GH10	144
80	3	HW070	GH10	158
100	4	HW070	GH10	173
125	5	HW070	GH10	186
150	6	HW070	GH10	202
200	8	HW102	GH20	202

DN	"	mod. HW 6 bar	mod. GH 6 bar	A
250	10	HW102	GH20	270
300	12	HW102	GH20	300
350	14	HW140	GH30	330
400	16	HW140	GH30	355

DN	"	mod. HW 6 bar	mod. GH 6 bar	A
500	20	HW165	GH55	422

DN	"	mod. HW 6 bar	mod. AB 6 bar	A
600	24	-	AB1954	495